



On the
Water
Designs

Floating Docks

DuraDock



HDPE Pontoons with Proprietary
Welded Structural Crossers



Picture Frame Decking

Floating Docks

DuraDock



Size		Dock		
		Pontoon Only	2x8 Micro Pro PT	2x8 Tiva PVC
W	L			
6'	20'	\$ 5,900	\$ 9,750	\$15,300
		57-620	57-621	57-622
	24'	7,000	11,250	17,900
		57-624	57-625	57-626
	30'	7,400	12,750	21,000
		57-630	57-631	57-632
8'	20'	6,200	10,500	17,700
		57-820	57-821	57-822
	24'	7,400	12,250	20,800
		57-824	57-825	57-826
	30'	7,800	14,250	24,600
		57-830	57-831	57-832
10'	20'	6,700	12,000	20,800
		57-020	57-021	57-022
	24'	8,000	14,000	24,300
		57-024	57-025	57-026
	30'	8,400	16,500	28,900
		57-030	57-031	57-032
12'	20'	9,200	14,750	25,000
		57-220	57-221	57-222
	24'	10,900	17,250	29,200
		57-224	57-225	57-226
	30'	11,500	19,750	34,400
		57-230	57-231	57-232

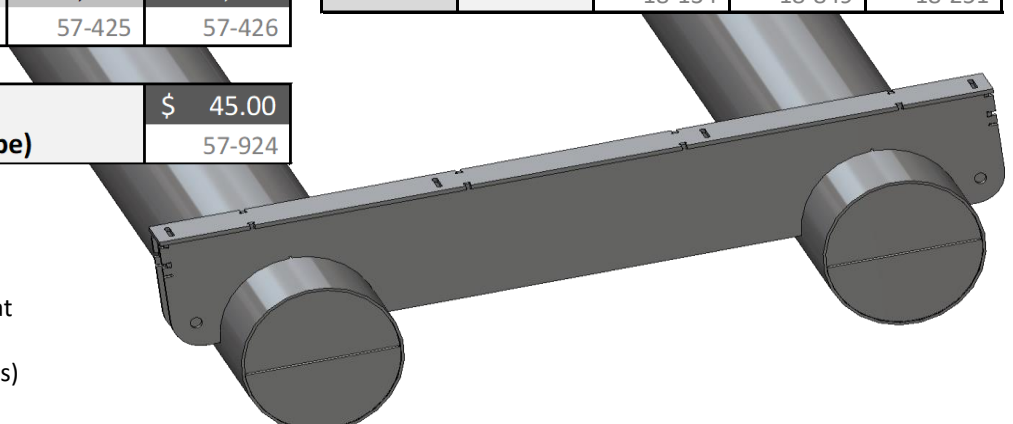
3' Finger	24'	3,800	7,150	11,200
		57-324	57-325	57-326
4' Finger	24'	4,000	7,850	12,900
		57-424	57-425	57-426

Upgrade pontoons	\$ 45.00
From 18" to 24" OD Pipe (/ft of pipe)	57-924

DuraDock Floating Docks Include:

- ✓ Frame, Floats & Decking
- ✓ 2 Chain Retainers
- ✓ 15' & 20' Ramps Include Stiffener & Float
- ✓ 5 Year Wooden Frame Warranty
- ✓ 10 Year Welded Frame Warranty (Ramps)
- ✓ 25 Year Pontoon Warranty

Size		Ramp		
		No Decking	Micro Pro PT	5/4 Tiva PVC
W	L			
4'	10'	\$ 1,000	\$ 1,500	\$2,350
		18-106	18-674	18-776
	15'	1,900	2,750	3,550
		18-297	18-761	18-480
	20'	2,250	3,550	4,850
		18-567	18-404	18-653
6'	10'	1,225	1,925	2,900
		18-177	18-254	18-859
	15'	2,175	3,450	4,600
		18-961	18-360	18-507
	20'	2,450	3,950	5,400
		18-833	18-397	18-422
8'	10'	1,850	2,900	4,400
		18-495	18-407	18-381
	15'	2,775	4,350	6,200
		18-399	18-471	18-698
	20'	3,075	5,000	7,275
		18-970	18-610	18-519
10'	10'	2,225	3,650	5,400
		18-654	18-967	18-424
	15'	3,100	5,250	7,500
		18-832	18-766	18-812
	20'	3,350	6,250	9,250
		18-134	18-849	18-251



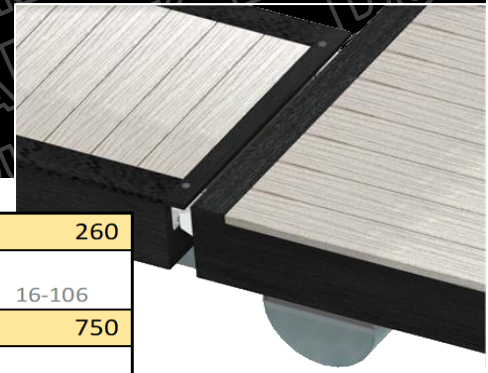
Delivery & Installation is available through a professional 3rd party installation crew.

Delivery is \$135/HR one way. Installation is generally 10% - 13% and may change based on specific requirements.

All prices subject to change without notice. All measurements are approximate

Floating Docks

DuraDock



Floating Dock Options

Add Ramp Float	Adds a 2'x3'x16" Float to water side of ramp. This Upgrade is included on 15' & 20' Ramps & 10' Ramps with PVC Decking.	\$ 260		
		16-106		
Slide Ramp Option	Allows ramp to slide freely on top of dock to reduce stress in rough water. Includes 5'x8' Densilite pad, rounded wear plates & shore side eye bolts	\$ 750		
		57-925		
HitchHinge Upgrade (/Hinge)	Upgrade from HD hinge to HitchHinge. Hitch Side is always welded to ramp. Pin Side may be welded or bolted to wood docks with either 1" or 1.5" decking	\$ 68.00	\$ 105.00	\$ 105.00
		Weld	1" Deck	1.5" Deck
		87-675	87-676	87-677
Concrete Anchor	Concrete anchor for holding floating docks. Chain weights are suspended off the bottom add stability on docks with large water fluctuations	\$ 75.00	\$ 135.00	\$ 52.00
		Dock (175lb)	HD (350lb)	Chain (50lb)
		89-858	89-351	89-283
Chain (/ft)	Gr. 30 Hot Dipped Galv. Chain is the best choice for most residential applications. Choose Gr. 70 Yellow Zinc for Longest Life & to Combat Zebra Mussels	\$ 195.00	\$ 6.50	\$ 8.50
		Chain Retainer	3/8"	3/8" Gr 70
		57-928	74-634	74-635
Anti-Sway Cable Kit	Makes your dock feel more stable by reinforcing ramp against twisting motion. Sold by ramp Length.	\$ 155.00	\$ 165.00	\$ 175.00
		10'	15'	20'
		16-175	16-968	16-503
Yellow Safety Rail	Creates a round yellow hand rail within the DuraDock pontoon frame close to the water line. A great safety feature in the event of a fall	\$ 15.00		
		/ft		
		57-926		
Coloured Deck Trim	Add a colour strip inside the picture frame. Choose from 9 colours to match your boat, airplane or dock furniture and make your dock truly unique	\$ 3.50		
		/ft		
		57-927		

Shore Platforms

			No Decking	Micro Pro PT	5/4 Tiva PVC
Bedrock	Reinforced Dock frame mounted to bedrock with 1" threaded rod (included)	4' x 4'	\$ 550 16-603	\$ 875 16-654	\$1,125 16-108
		6' x 4'	780 16-532	1,150 16-826	1,325 16-718
		8' x 4'	870 16-517	1,250 16-759	1,950 16-833
Sand & Clay	Reinforced dock frame with 6' steel legs (included) driven into soil.	4' x 4'	850 16-497	1,150 16-204	1,375 16-139
		6' x 4'	1,050 16-966	1,350 16-571	1,550 16-496
		8' x 4'	1,150 16-154	1,550 16-198	2,250 16-579



Shore Attachments

		4'	6'	8'	10'
Shore Beam	6"x6" PT Beam. Used as an adaptor for the shore angle on uneven bedrock.	\$ 285 16-681	\$ 335 16-904	\$ 375 16-498	\$ 445 16-585
Shore Angle	4" x 4" Aluminum Angle. Mount to shore beam or wood deck	350 16-222	395 16-674	440 16-515	485 16-293
Shore Plate	4" x 1/4" Aluminum Plate. Mount to the face of a flat surface	250 16-404	275 16-406	300 16-408	325 16-410
Shore Channel	4" x 2-1/2" Aluminum Channel. Mount to the face of an uneven surface	325 16-304	385 16-306	515 16-308	575 16-310
Concrete Angle	4' x 6" Aluminum Angle. Mount to new or existing concrete	425 16-551	550 16-438	635 16-622	775 16-483

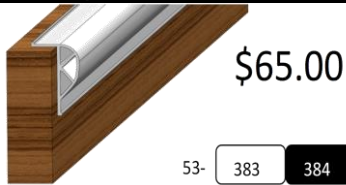


* Note: Concrete Pour Available Separately

Floating Docks

DuraDock

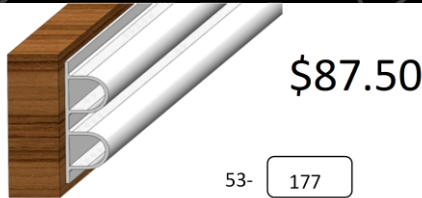
Contact Us
 On the Water Designs
 Kilworthy (Muskoka) ON
 (866) 477-0177
 info@onthewaterdesigns.com



\$65.00

53- 383 384

Heavy Slant P Bumper | 10'4" Length



\$87.50

53- 177

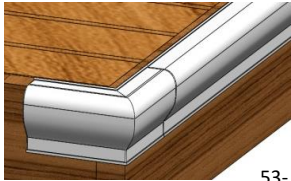
Double D Bumper | 8' Length



\$95.00

53- 195 196

Single P Bumper | 8' Length



\$40.00

53- 382 946 947

Heavy Outside Corner



\$45.00

53- 593 919 969 970

Large Corner Bumper



- Factory Install Bumper LB-359 \$23.50
- Factory Install Corner LB-127 \$13.00
- Bumper Screws (25pk) 68-720 \$5.75
- Bumper Screws (100pk) 68-719 \$23.00



51-552
51-551
51-215

\$25.00

Install LB-948 \$13.00
 Hardware Only 68-723 \$7.00

6" Flip Up Cleat



\$50.00

61-146

Premium Solar Light



\$55.00

61-426

Solar Dock Lite (2pk)



51-898

\$20.00

Install LB-948 \$13.00
 Hardware Only 68-966 \$10.00

10" Open Base Cleat



Premium Mooring Whips

	Capacity	Size
8'	2,500 lbs	\$ 385 52-443
12'	5,000 lbs	\$ 550 52-403
14'	10,000 lbs	\$ 635 52-208

Wake Watcher	3,500 lbs	\$ 575 52-318
--------------	-----------	------------------

Install Whips	\$ 38 LB-460
---------------	-----------------



Wake Watcher™



Hand Rail - Aluminum

\$45.00

16-663

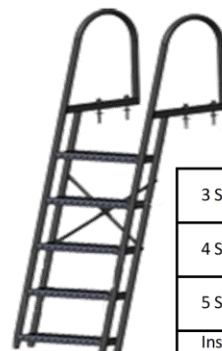
/Ft

Commercial Projects

Our DuraDock construction allows for great design flexibility and is a high quality choice for large projects.

A perfect fit for Resorts & Marinas

Speak with our commercial design team to



Angled Ladder

	Black	White	Grey	Measurements
3 Step	\$ 410 54-742	\$ 410 54-455	\$ 385 54-869	ID 18" OD 20.5"
4 Step	\$ 465 54-743	\$ 465 54-543	\$ 415 54-517	Step Height 11" 3 Step Lower Height 33"
5 Step	\$ 495 54-744	\$ 495 54-350	\$ 455 54-708	4 Step Lower Height 44" 5 Step Lower Height 55"
Install Ladder	LB-681		\$ 27	Angle 15°